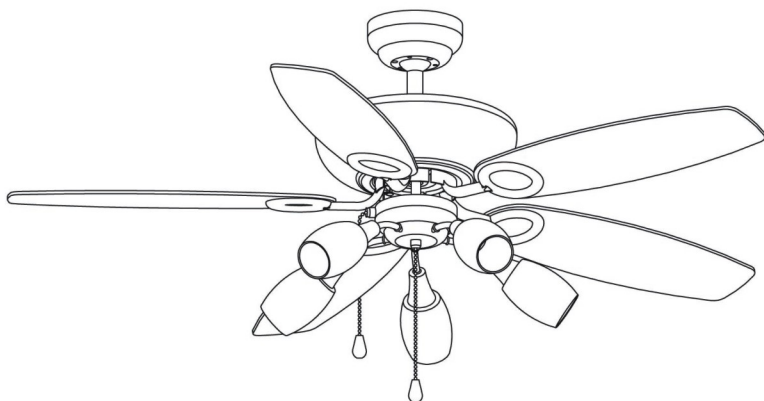


GLOBO

FAN

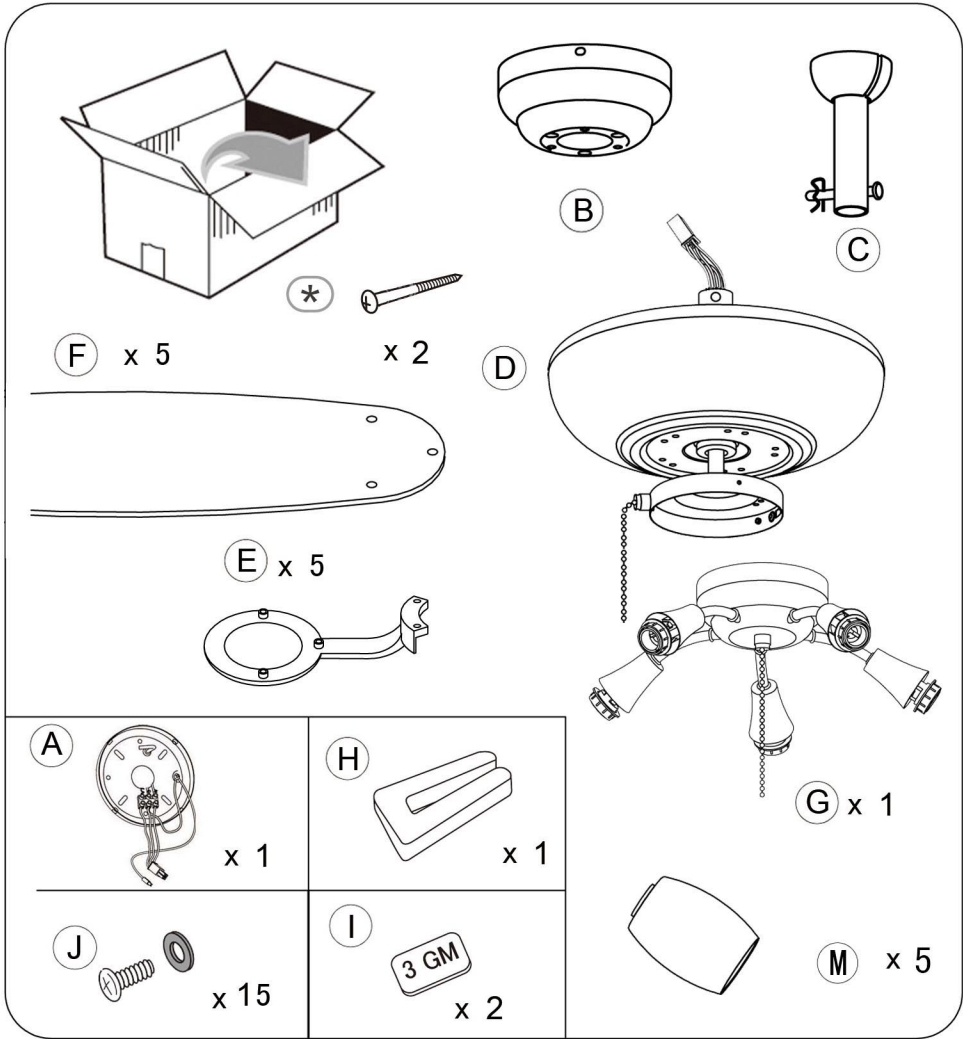
0337

www.globo-lighting.com

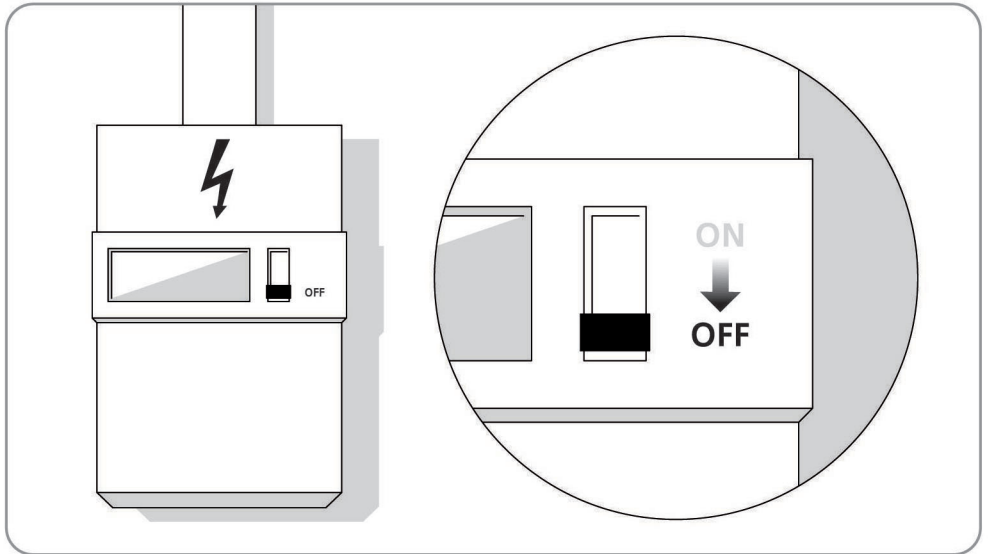
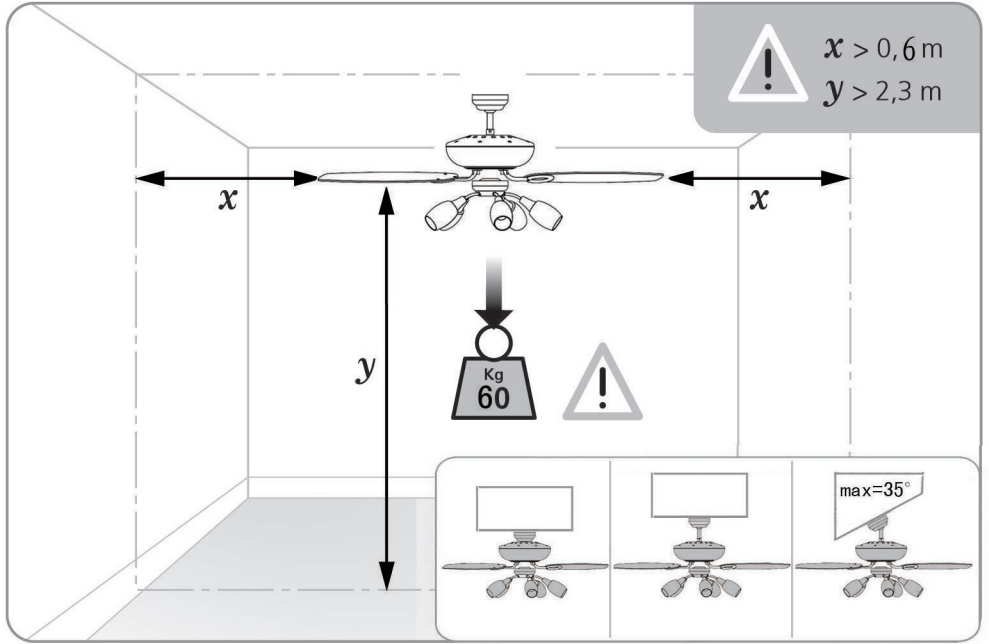


GLOBO Handels GmbH
St. Peter 38
A-9184 St. Jakob/Rosental

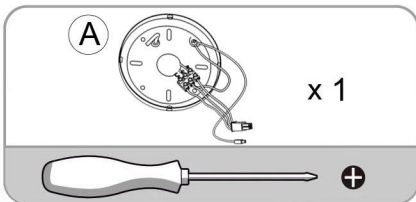
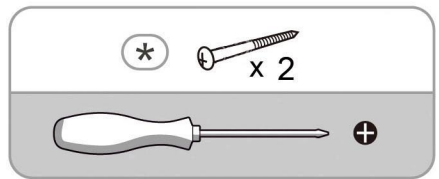
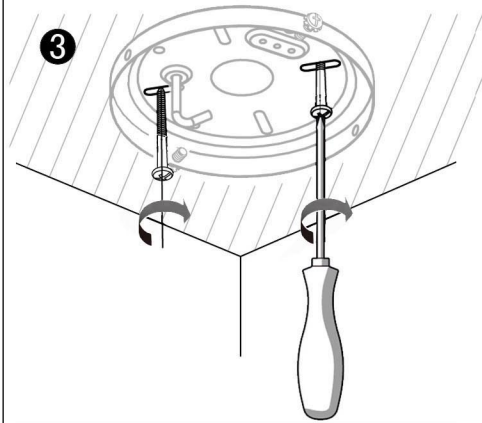
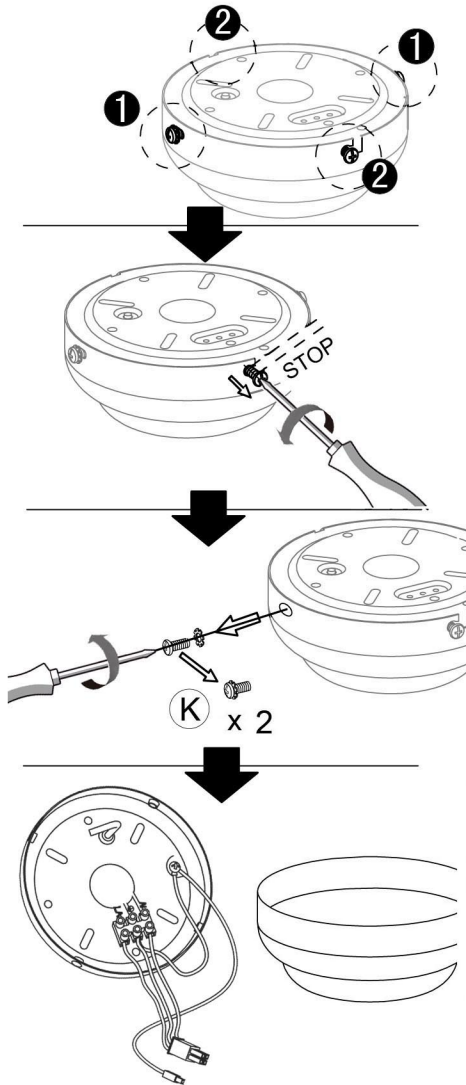




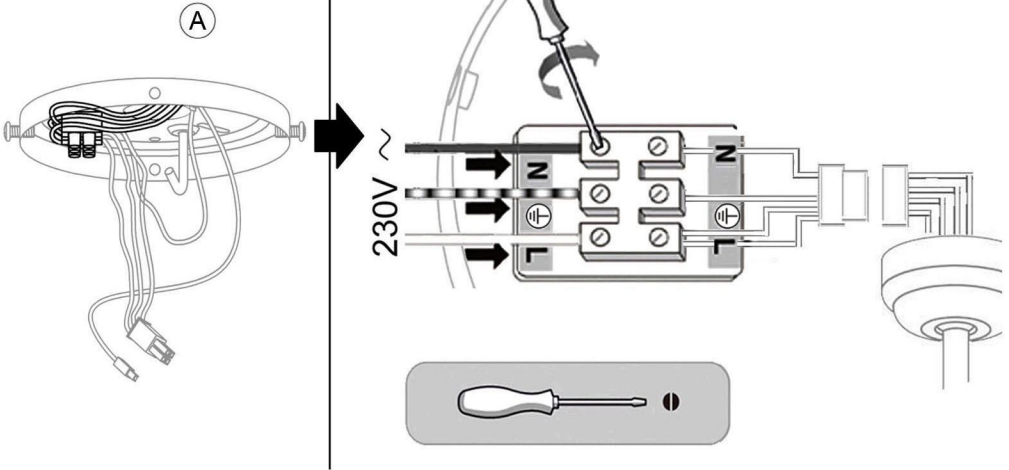
#8
 MAX=10 cm
 E 14
 2h
 Person icon



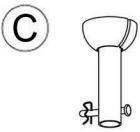
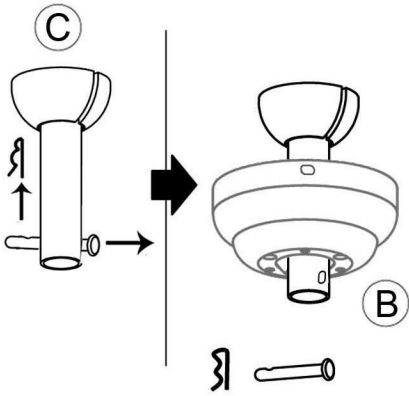
1



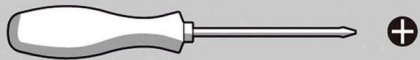
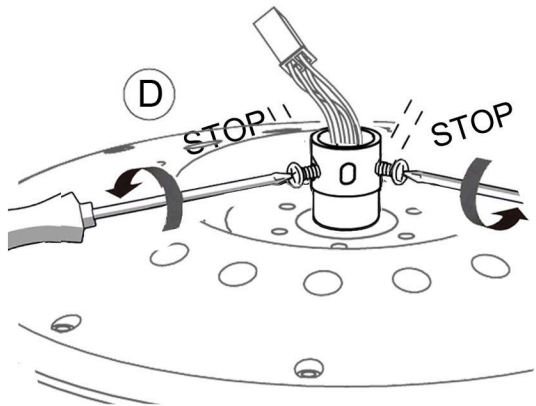
4



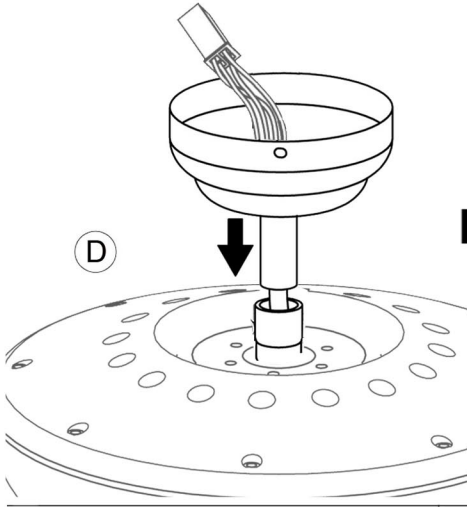
5



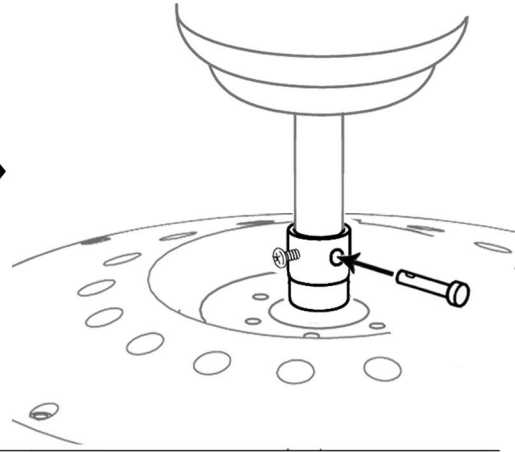
6



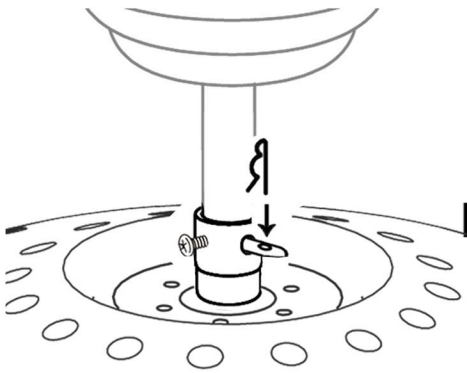
7



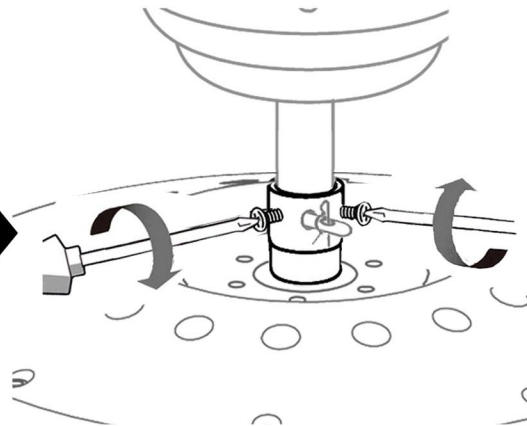
8



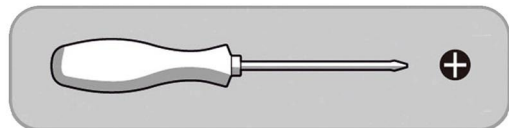
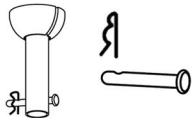
9



10

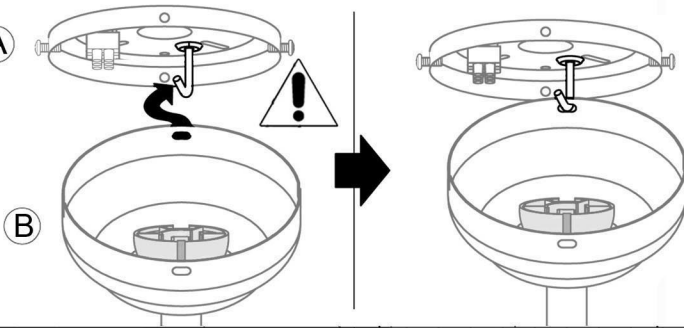


C



11

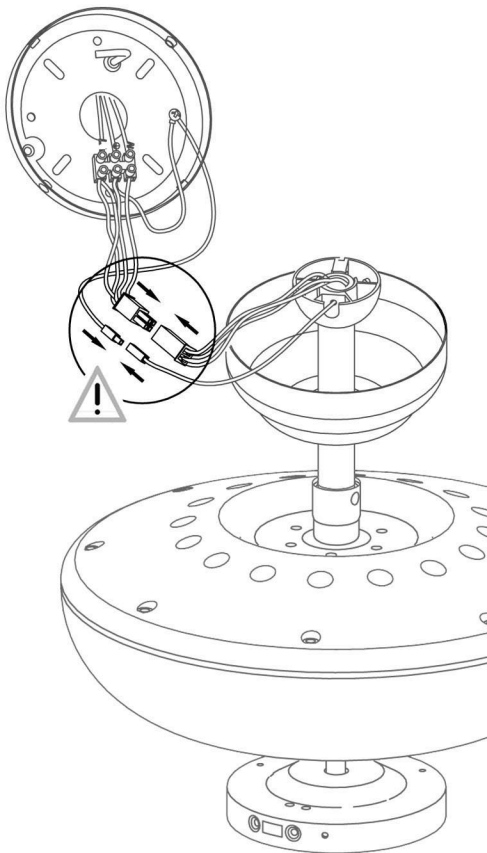
A



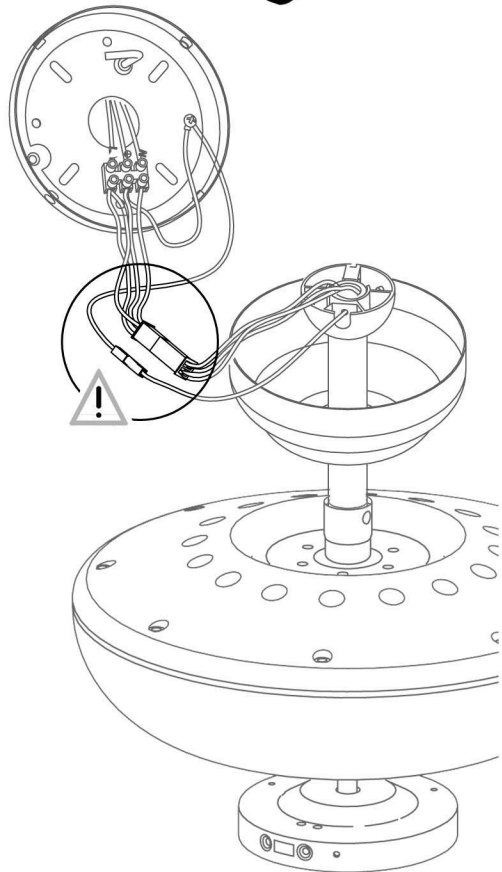
B

A

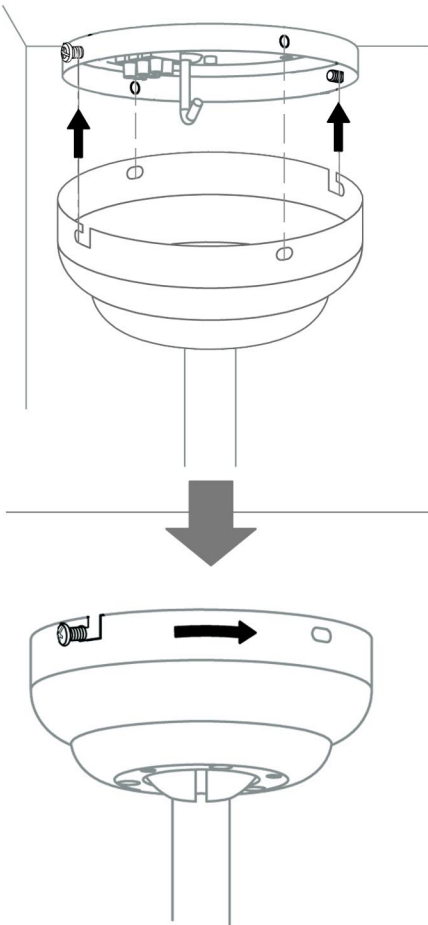
12



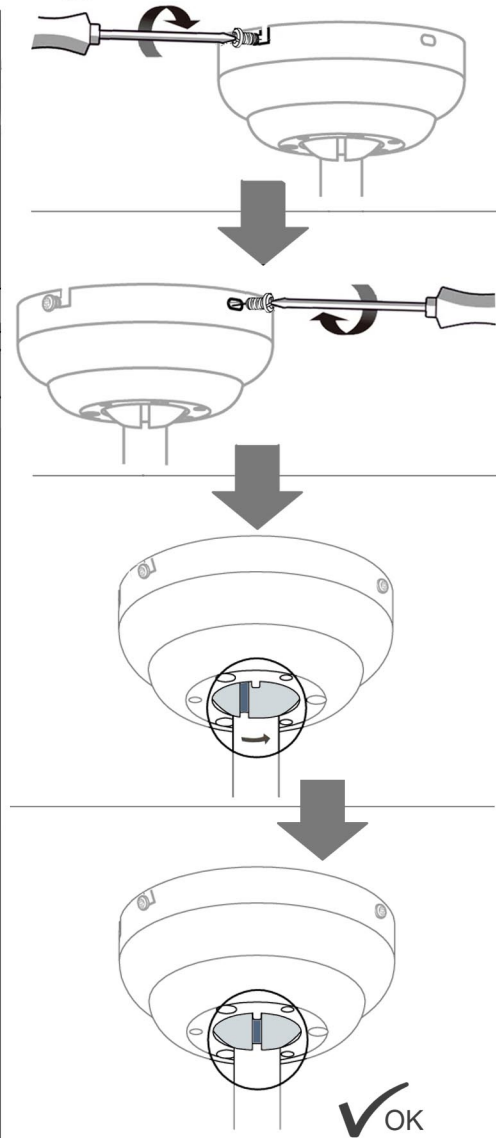
13



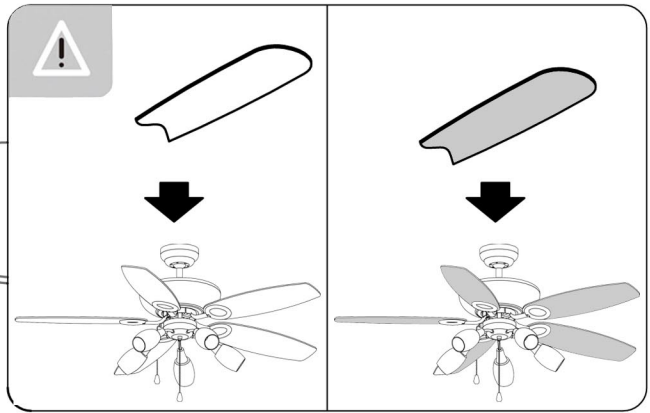
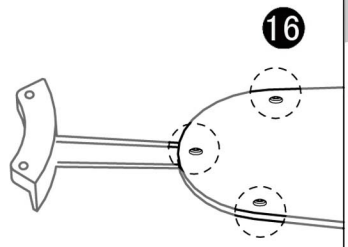
14



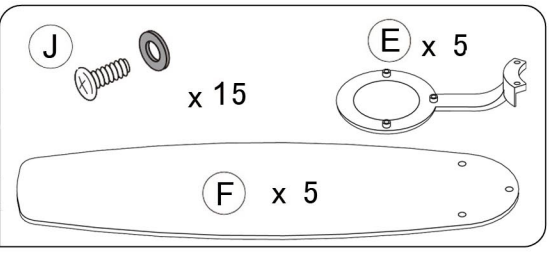
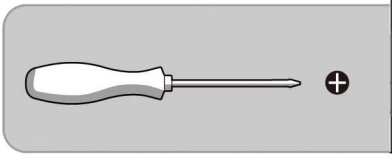
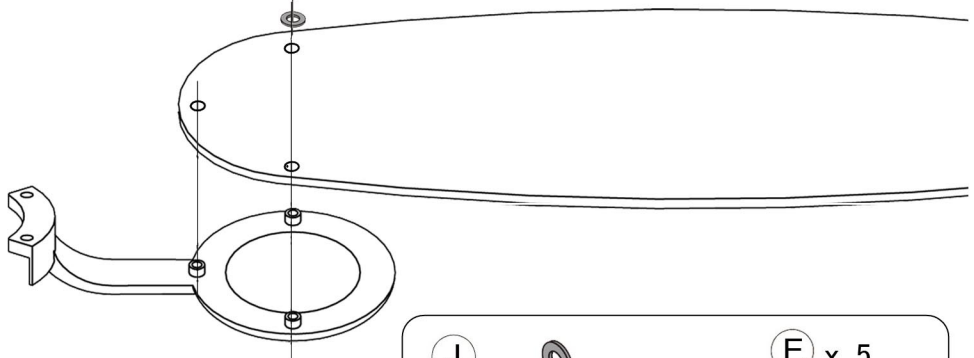
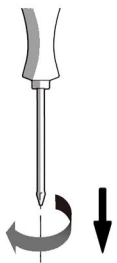
15



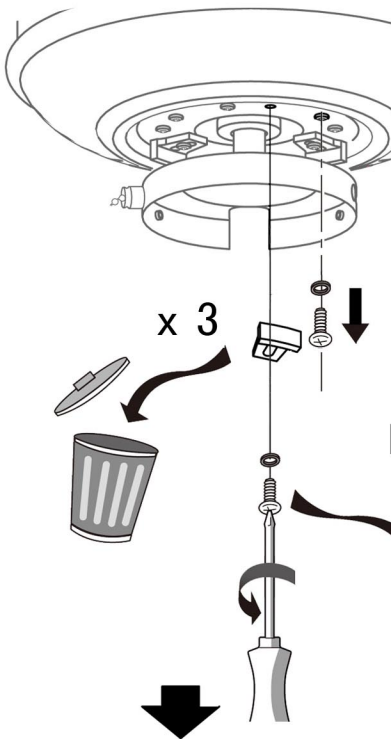
(K)  x2



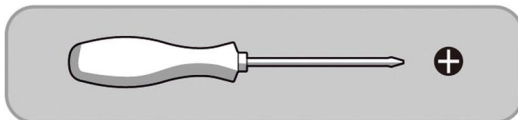
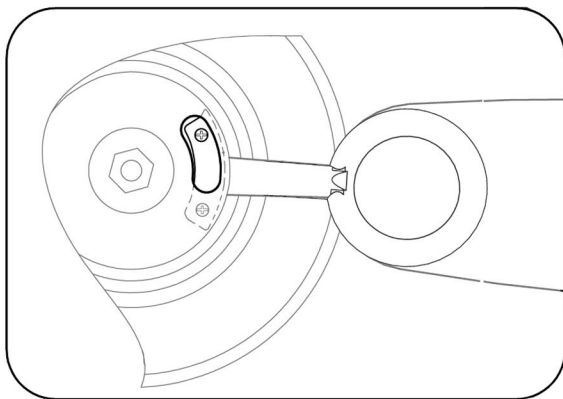
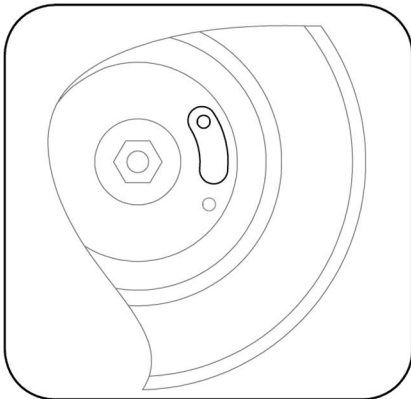
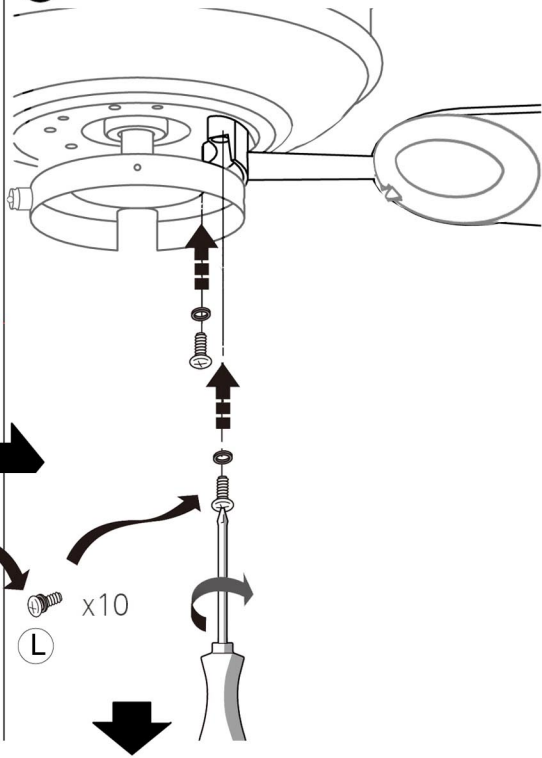
16

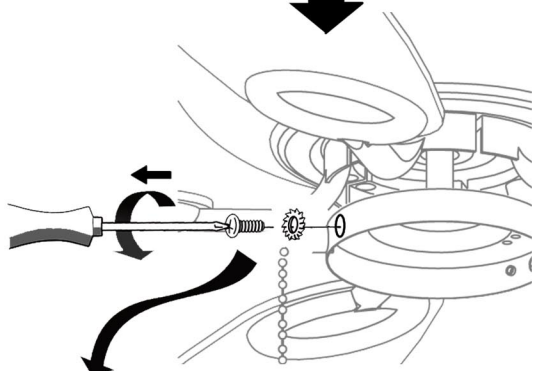
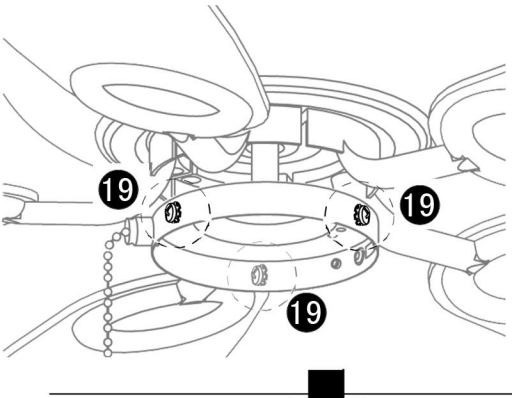


17

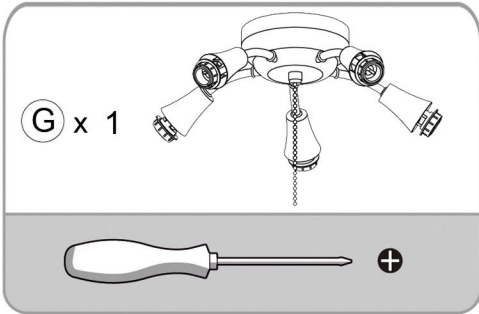
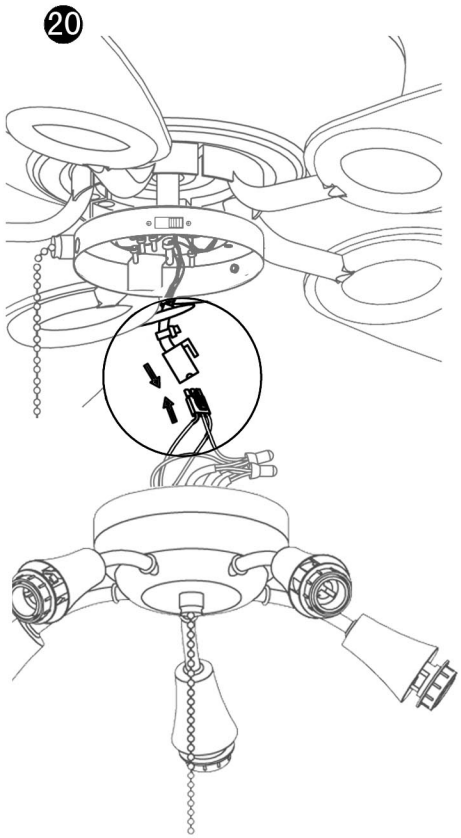


18

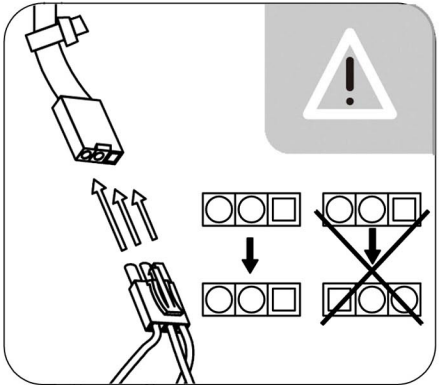


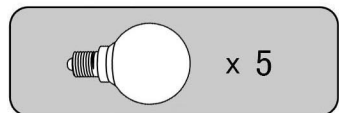
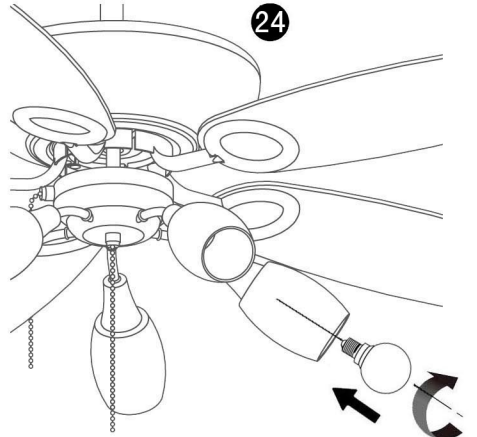
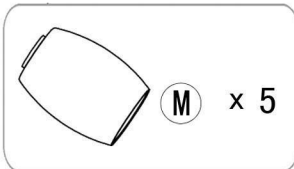
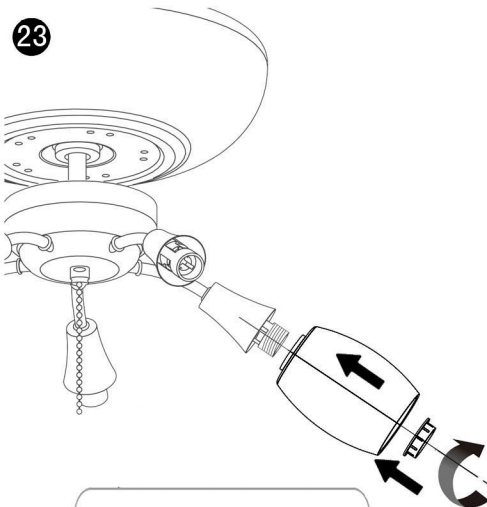
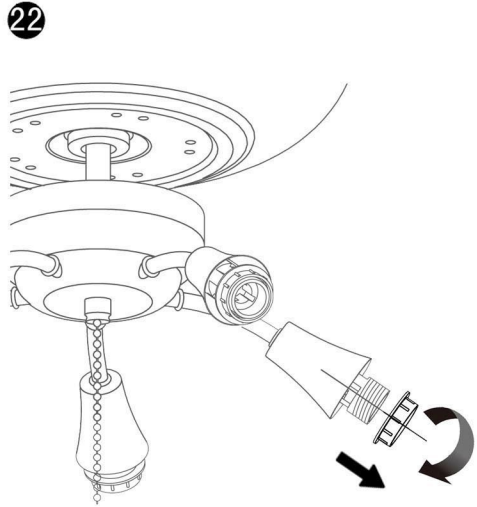
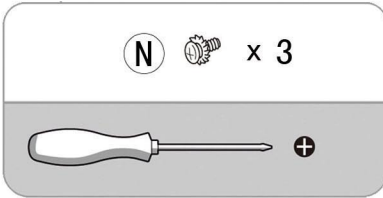
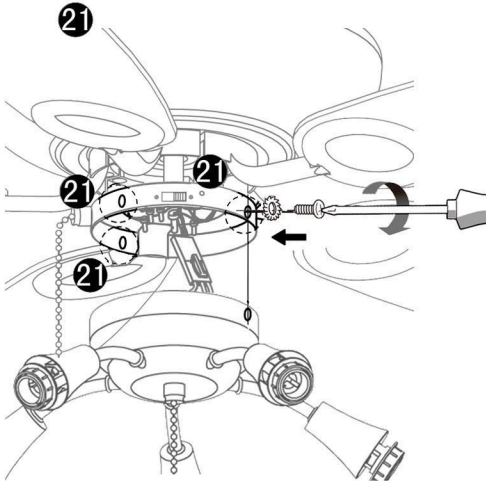


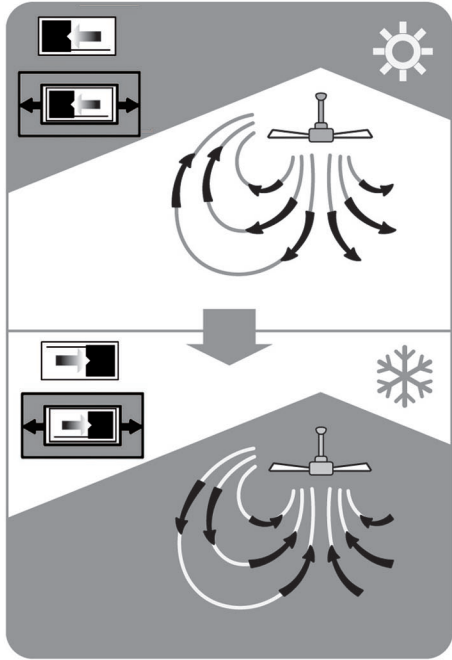
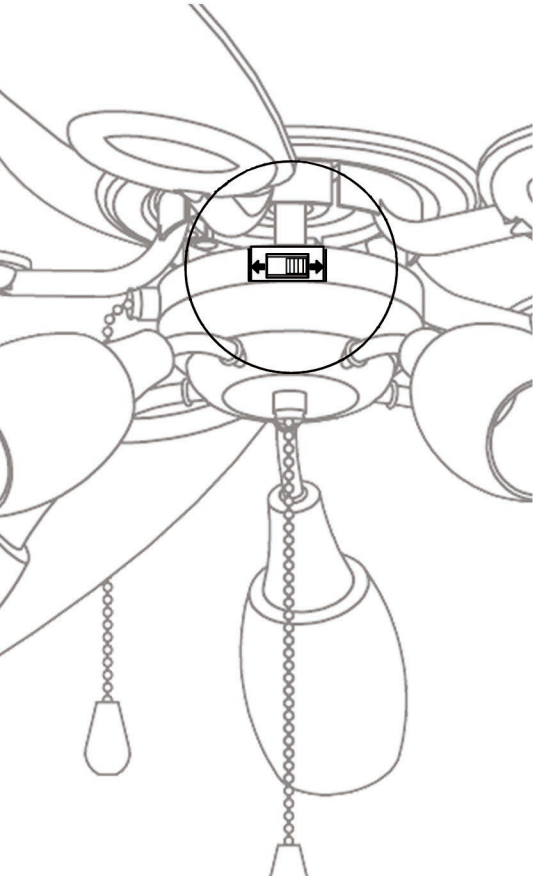
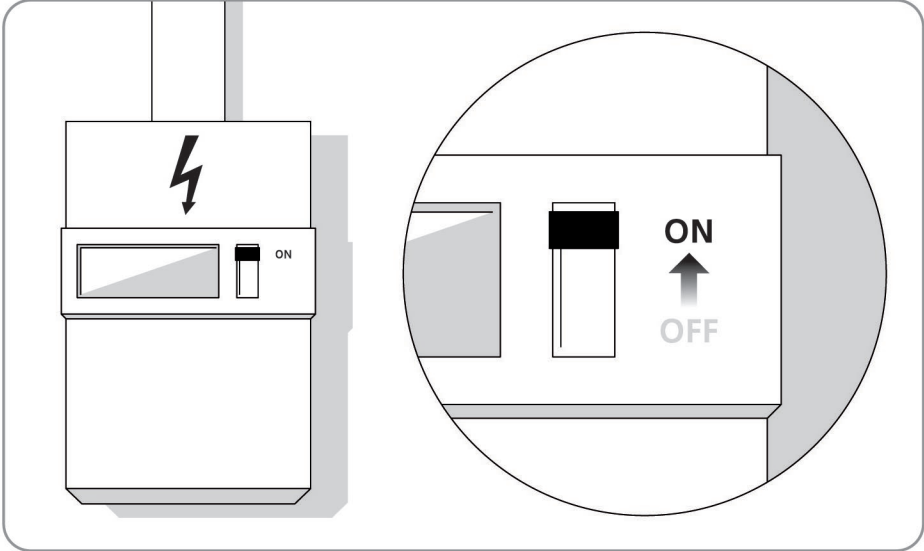
(N)  x 3

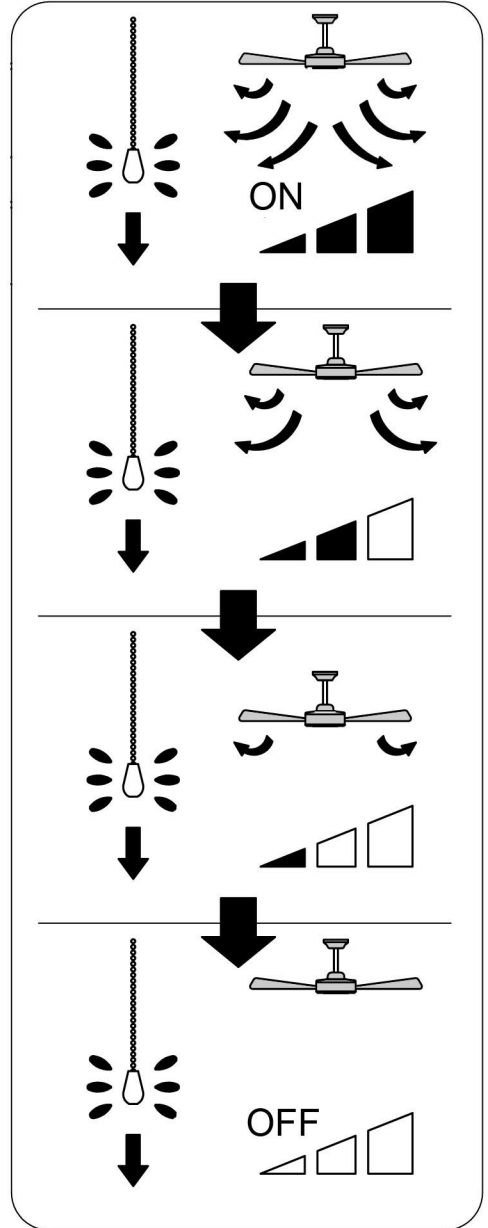
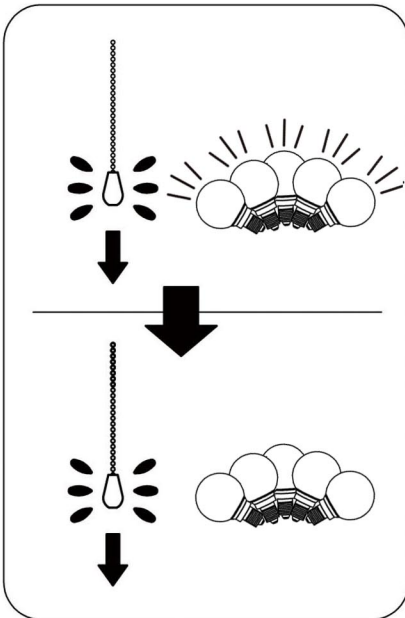
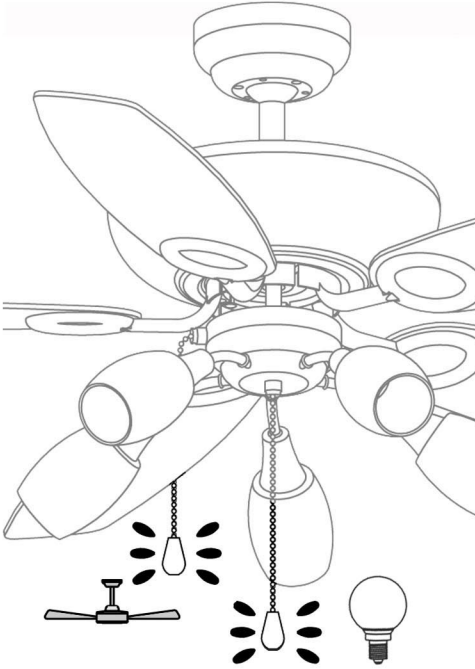


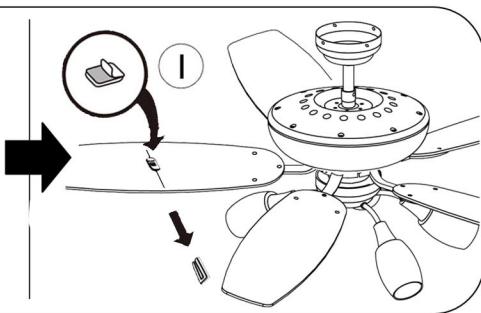
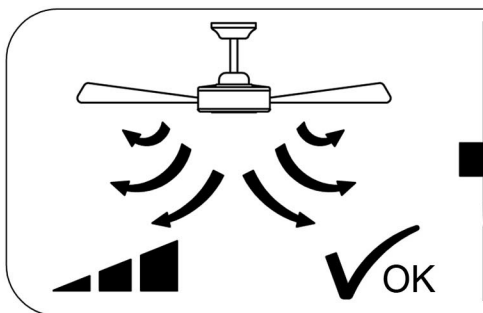
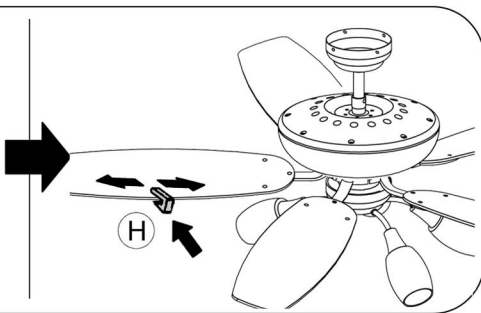
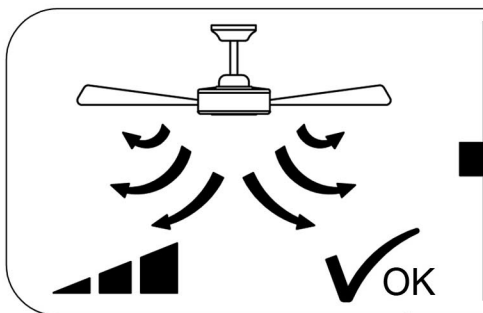
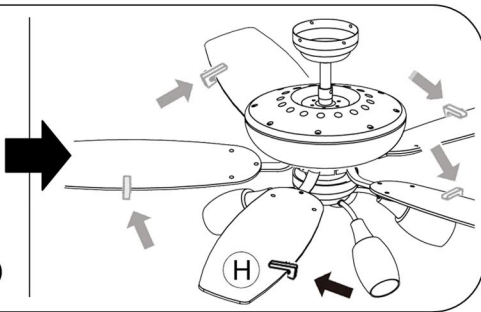
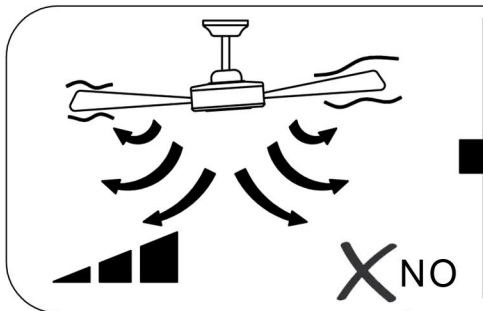
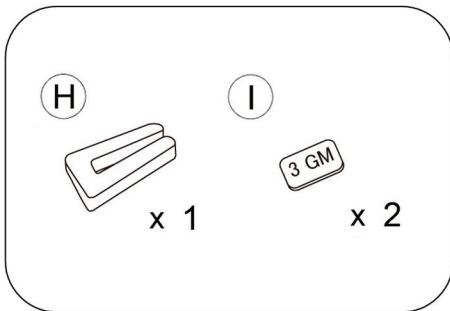
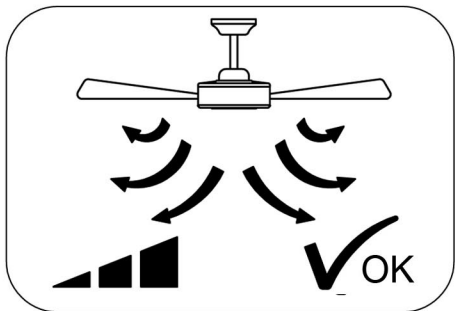
(G) x 1









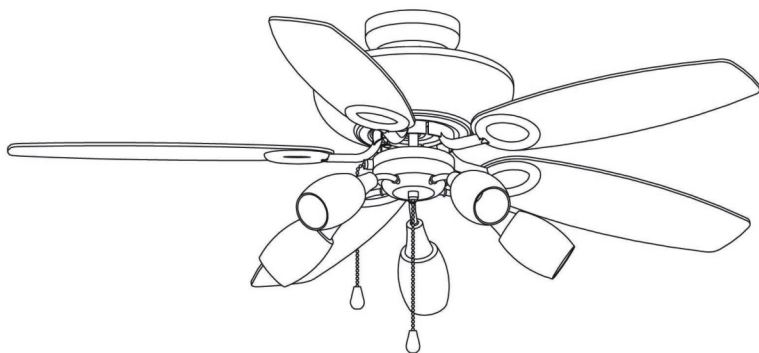


GLOBO

FAN

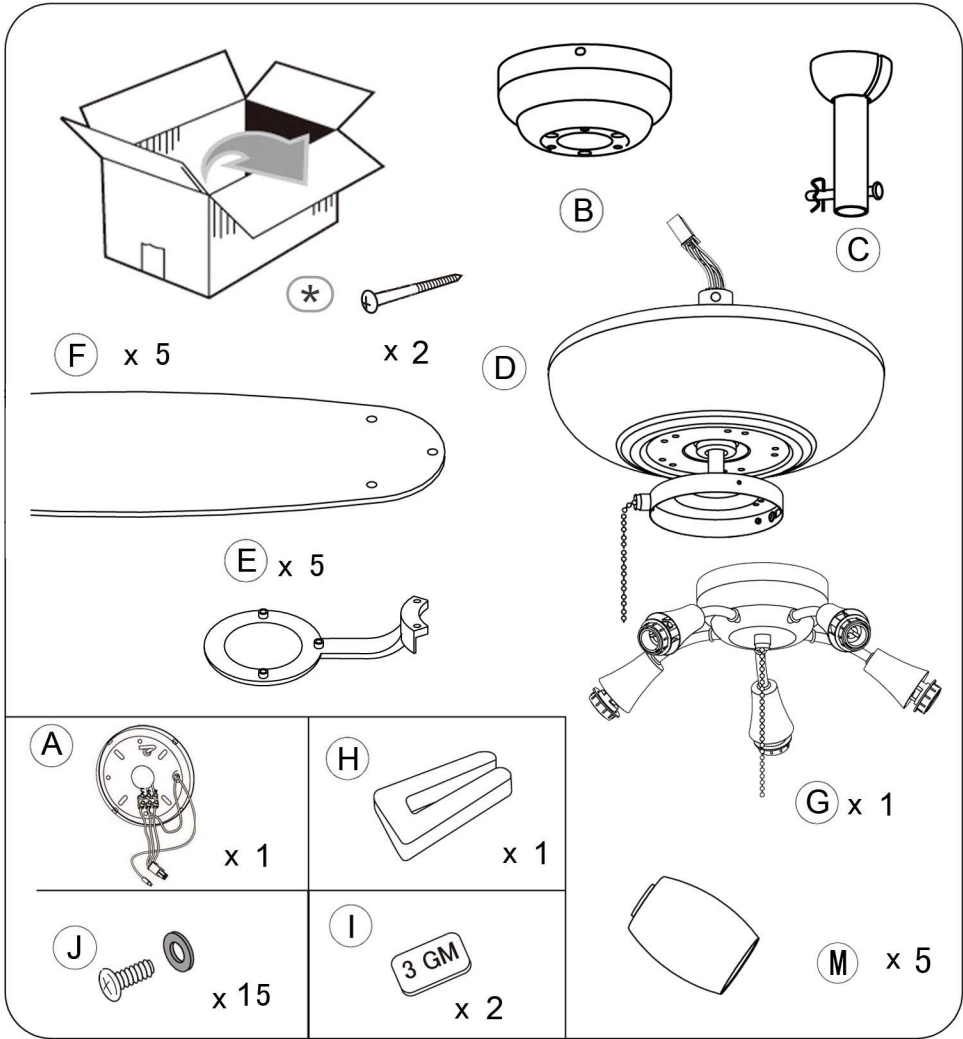
0337

www.globo-lighting.com

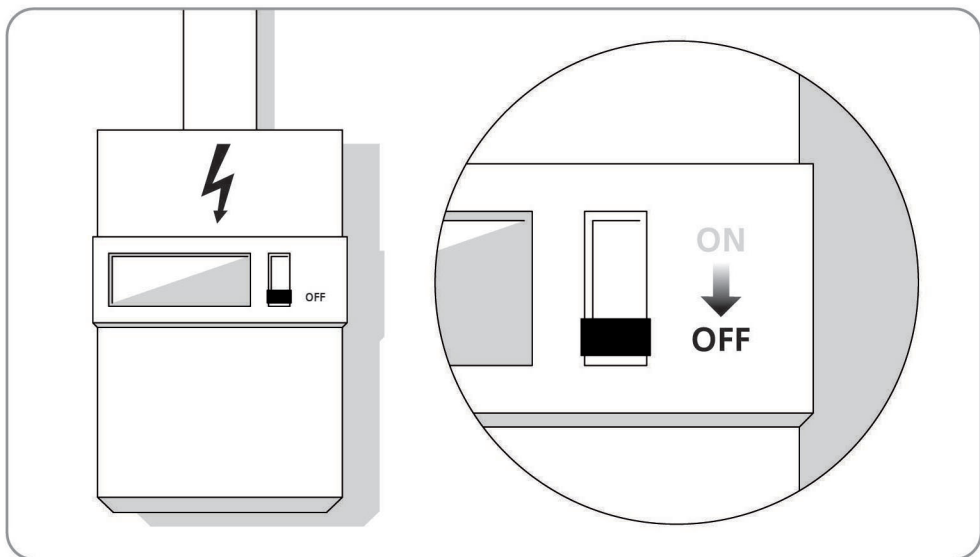
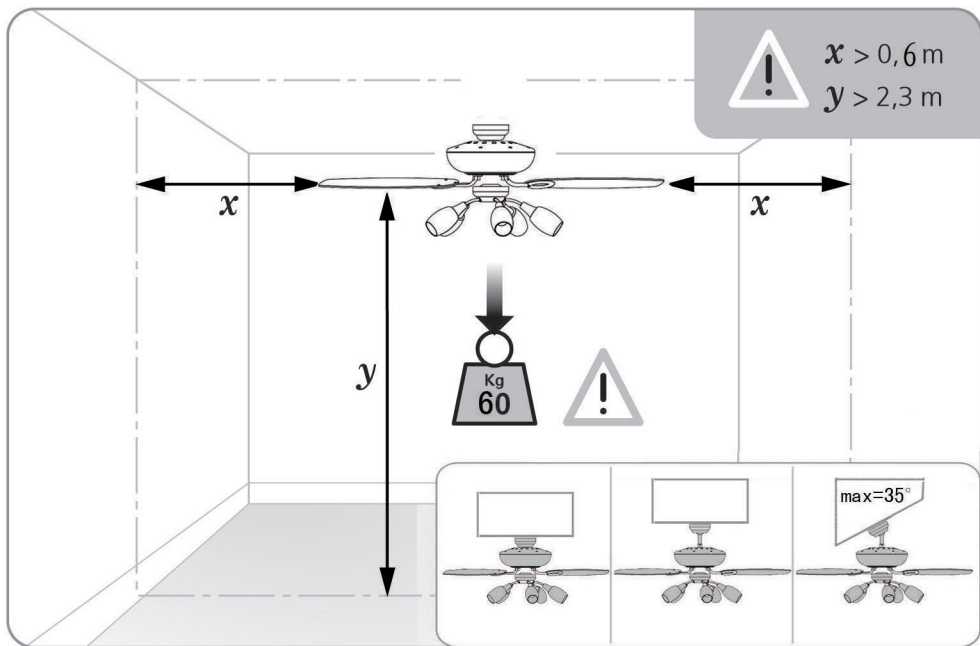


GLOBO Handels GmbH
St. Peter 38
A-9184 St. Jakob/Rosental

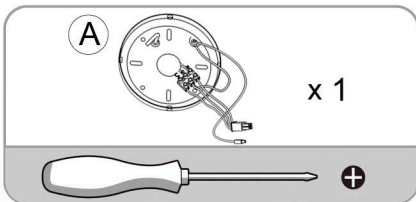
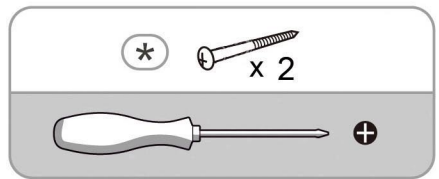
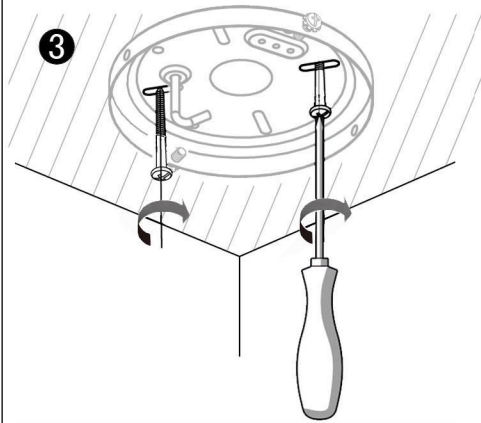
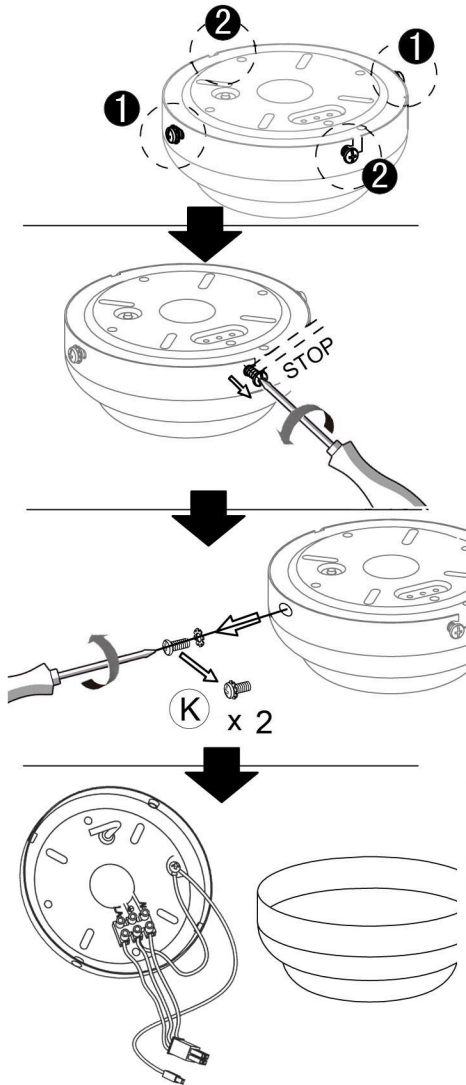




#8
 MAX=10 cm
 E 14
 2h
 Person icon

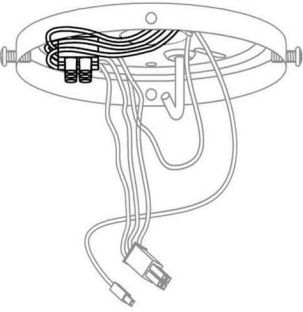


1

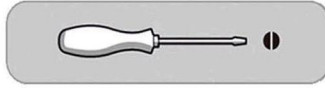
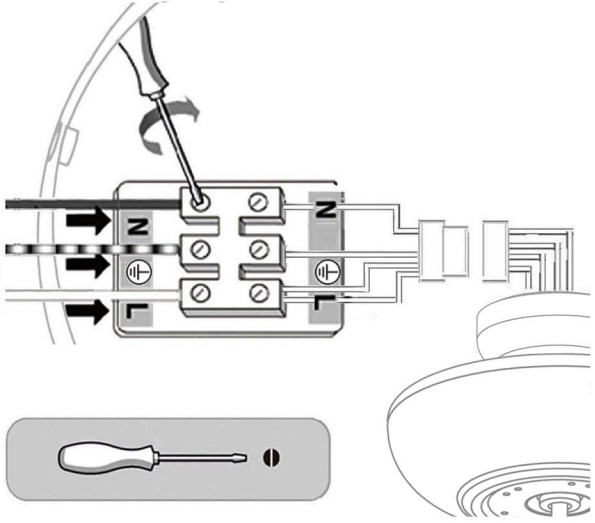


4

A



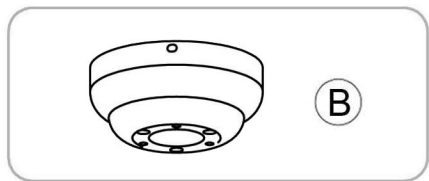
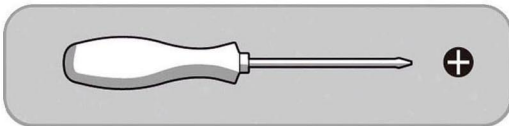
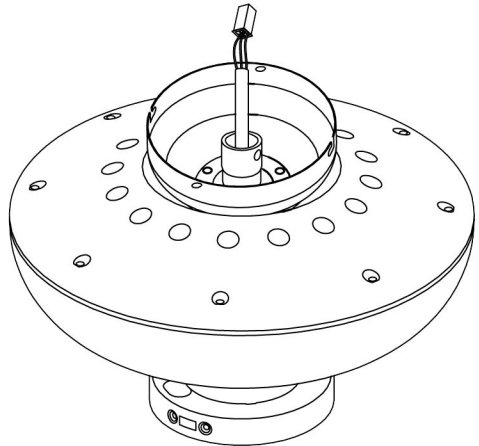
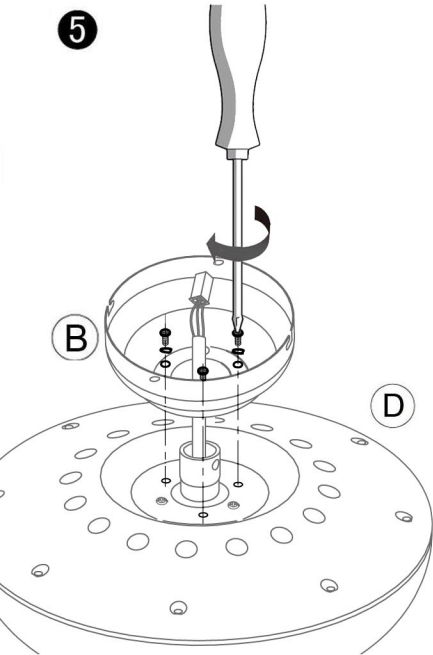
230V ~



5

B

D

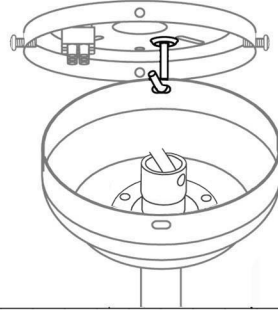
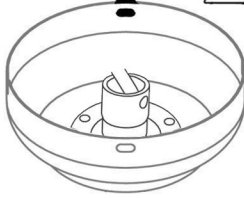


6

A

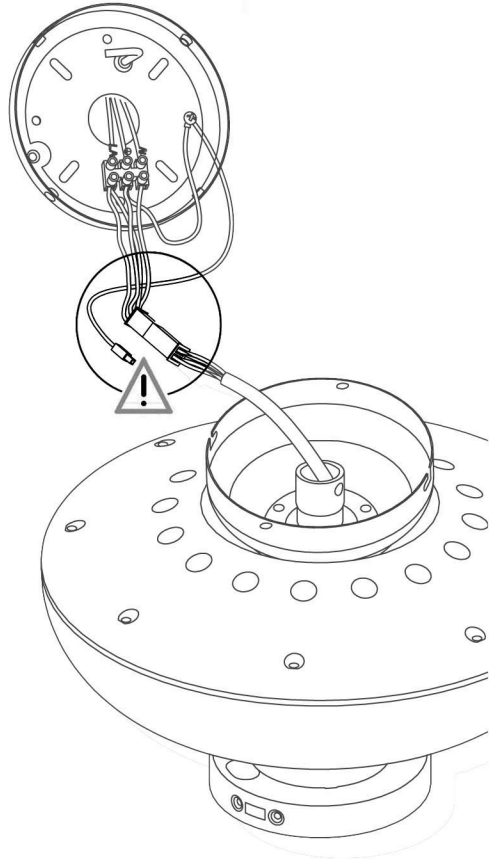
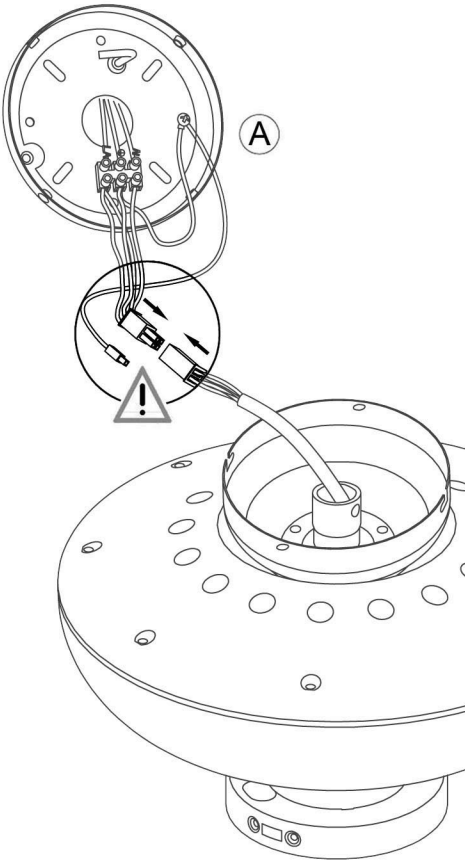


B

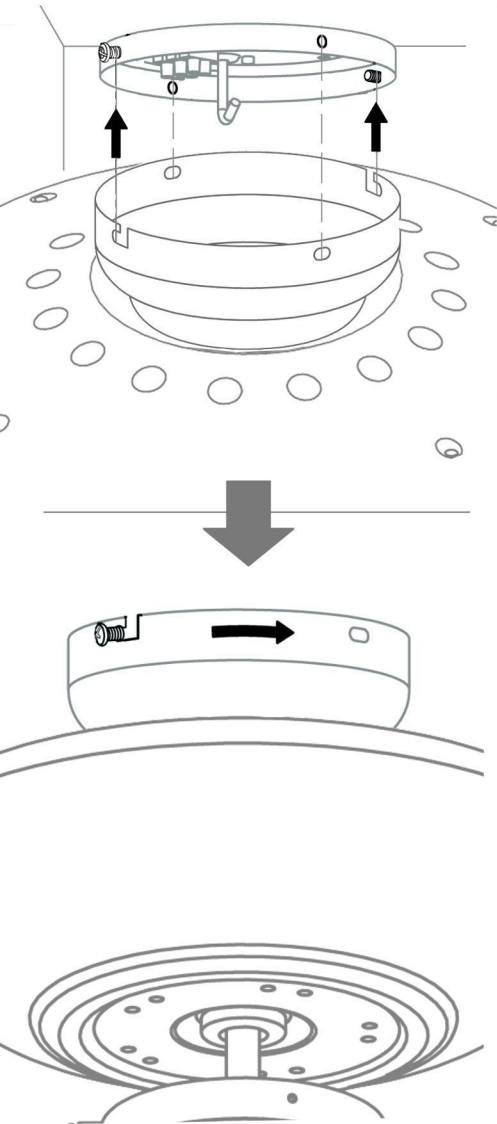


7

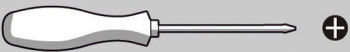
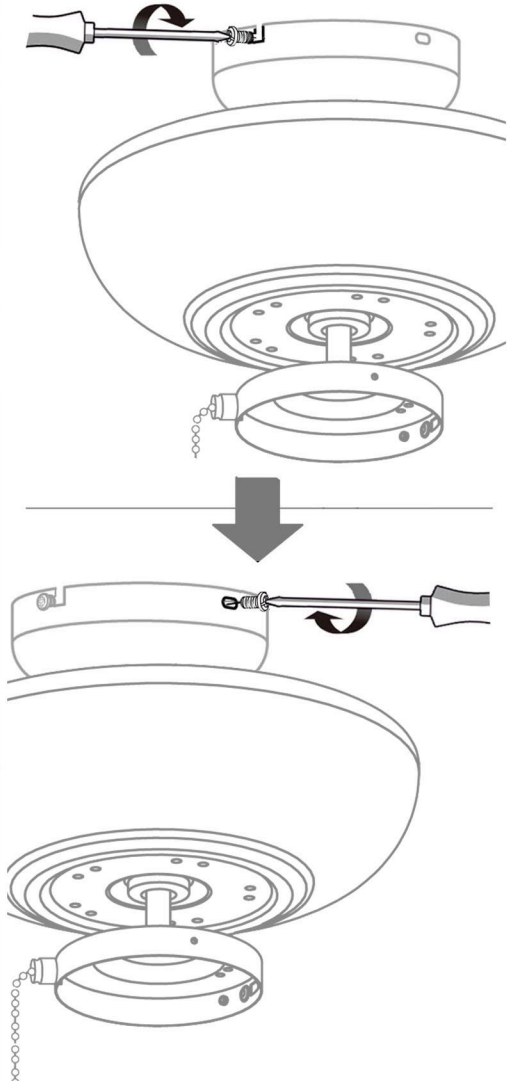
A



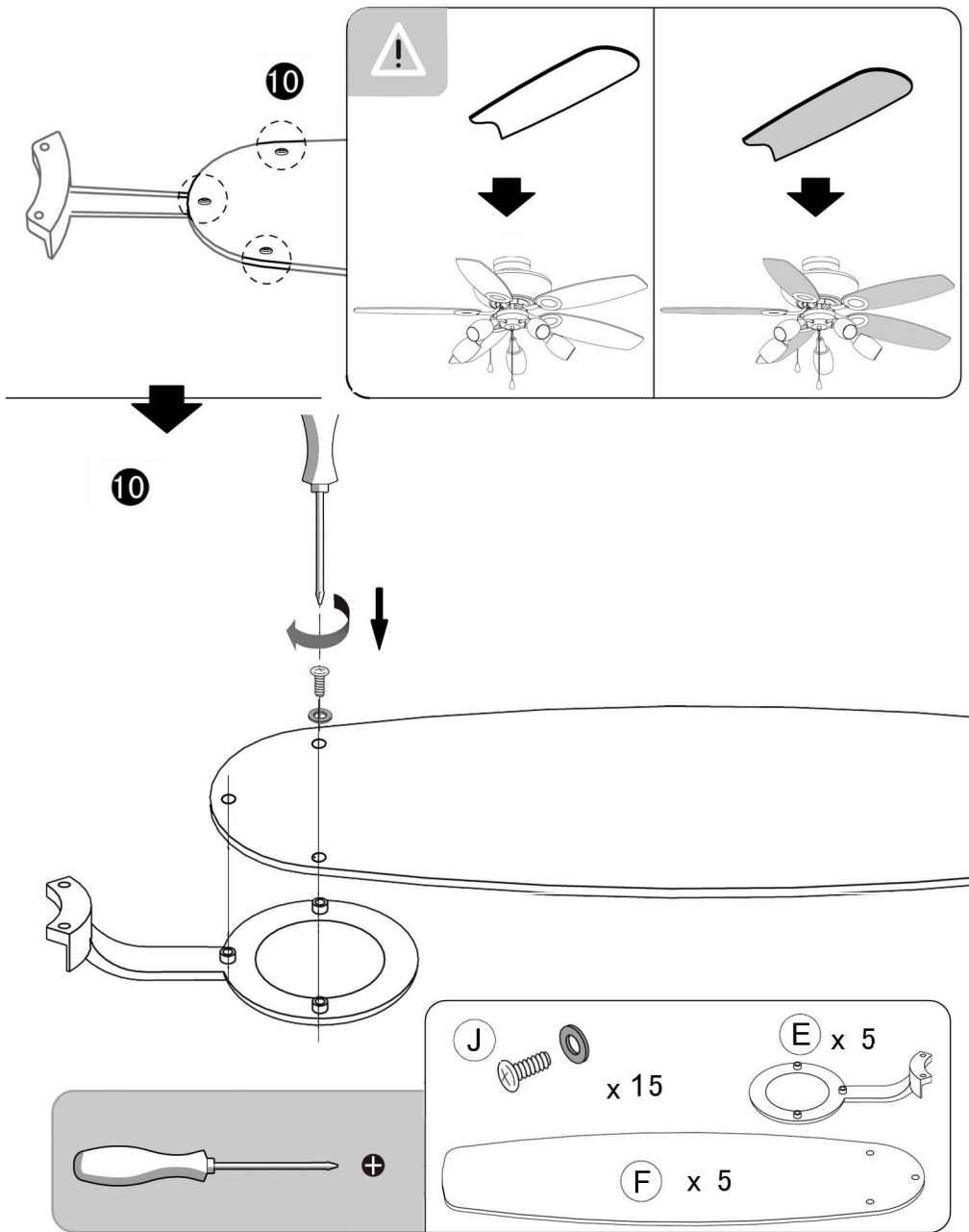
8

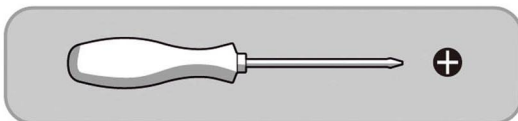
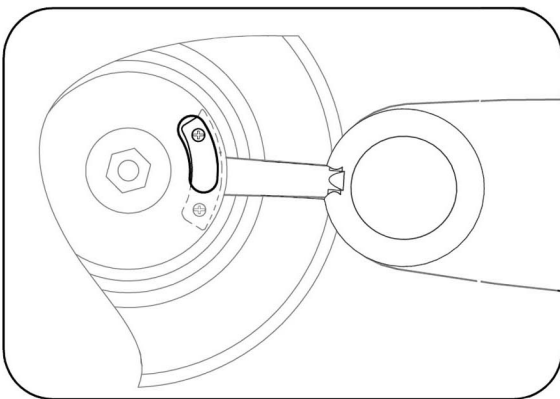
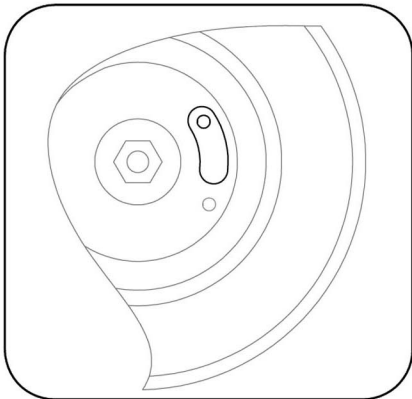
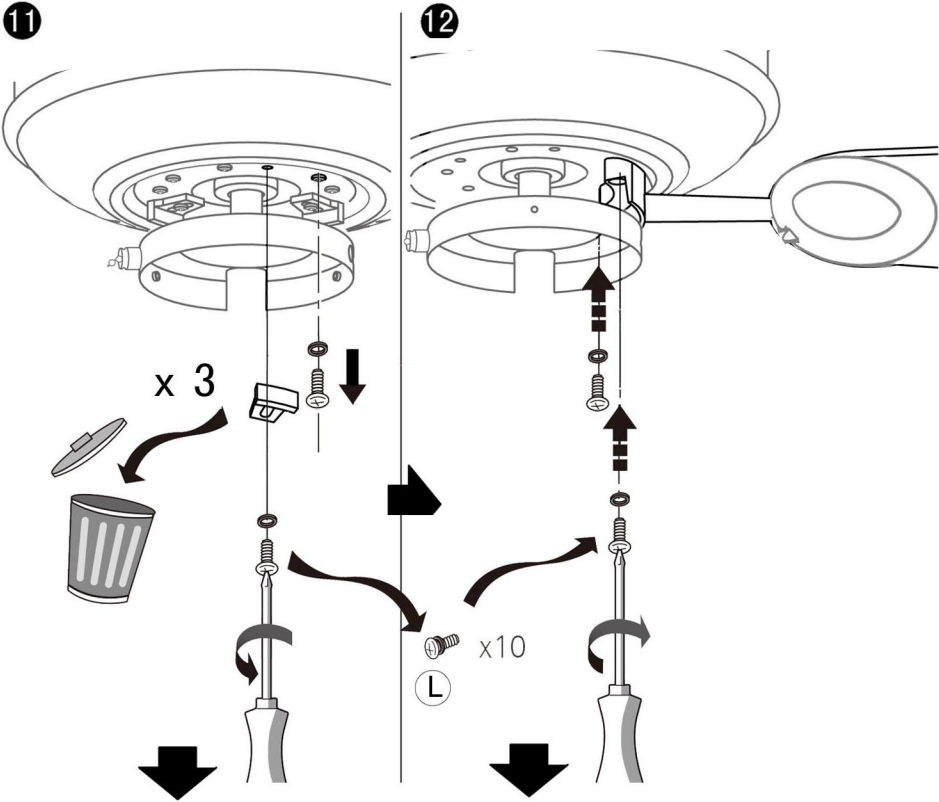


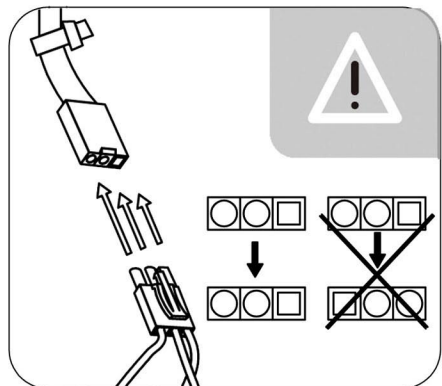
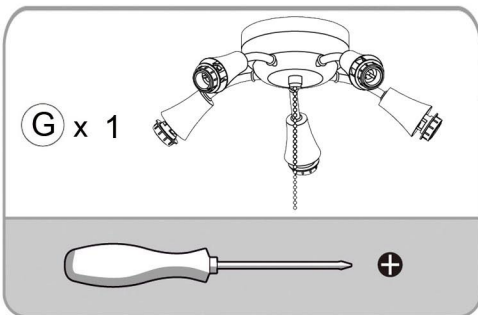
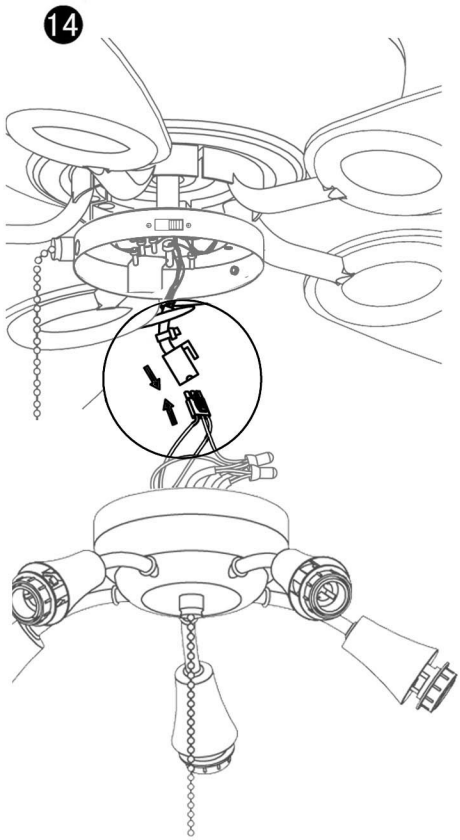
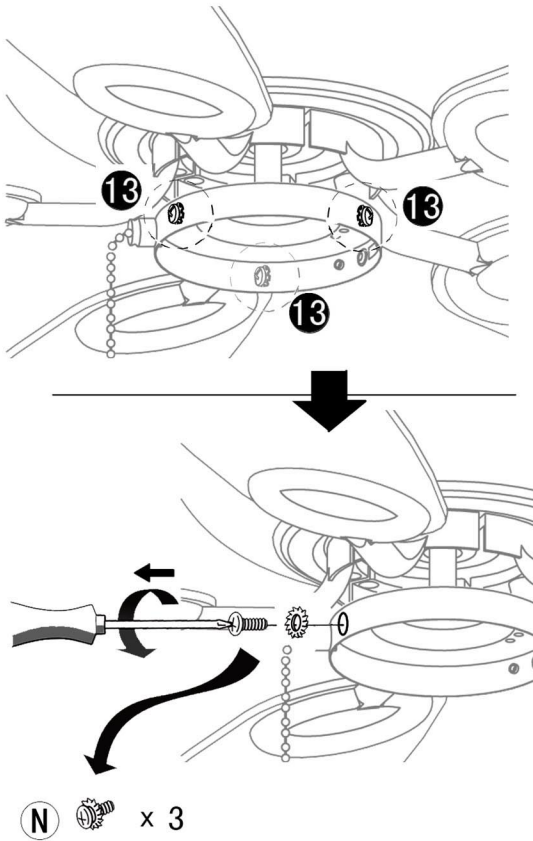
9

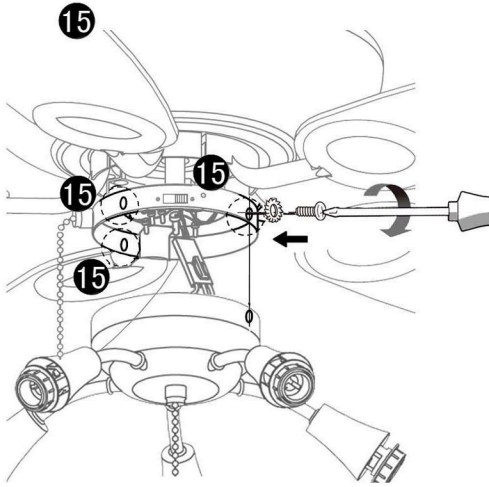


(K)  x2

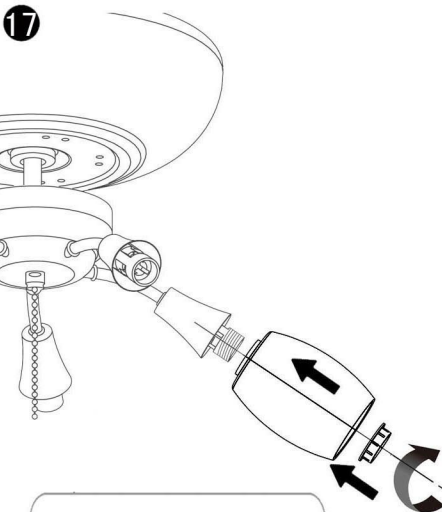
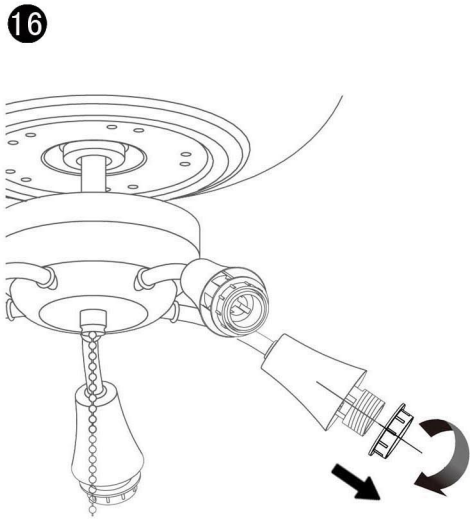
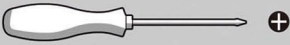





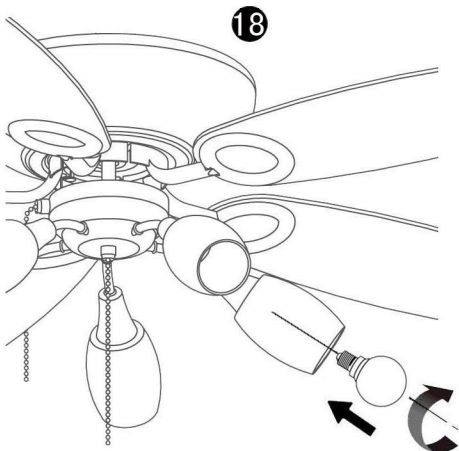




N  x 3



M  x 5



 x 5

